

ROTARY TABLES

Beyond Integration
Seamless Solutions™

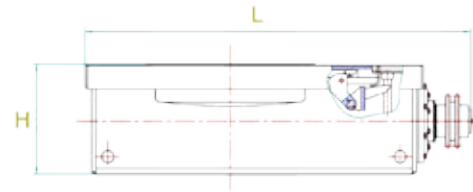


ROTARY TABLES

Hydraulic Rotary Tables

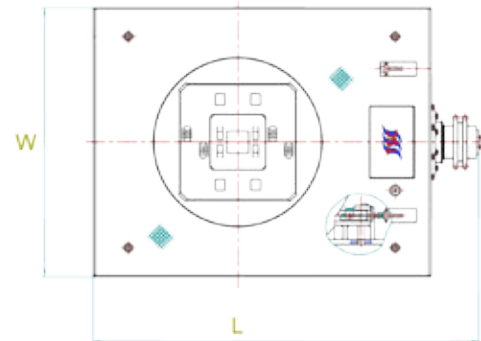
Standard Features

- Designed in accordance with API 7K and to meet DNV and ABS requirements
- Physically interchangeable with similar size tables
- Integrated casting with fabricated housing for rigid design and maximum durability
- High strength spiral bevel gear set providing smooth running at heavy load and ensuring longevity of service
- Cartridge style pinion arrangements
- Double labyrinth style sealing for optimal mud / oil isolation



Standard Accessories

- Bit breaker adapter plate
- Lifting slings for master busing and API insert bowls
- API insert bowls #1, #2 and #3



Performance Characteristics

Model		RT275	RT375	RT495
Table Opening	inches	27-1/2	37-1/2	49-1/2
	mm	698.5	952.5	1257.3
Static Load Capacity	lbs	1,012,000	1,315,000	1,978,000
	kN	4500	5850	8800
Max. Table Speed	RPM	300	300	300
Max. Table Torque	lb-ft	20,250	23,870	36,140
Gear Ratio		3.67 : 1	3.56 : 1	3.95 : 1
Approx. Dimensions	L - in (mm)	94 (2392)	97 (2468)	115 (2928)
	W - in (mm)	66 (1670)	71 (1810)	86 (2184)
	H - in (mm)	27 (685)	28 (718)	32 (814)
Approx. Weight	lbs	13,500	17,600	20,800
	kg	6,160	8,000	9,440

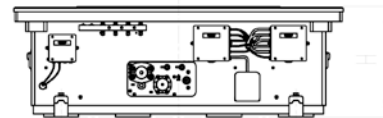
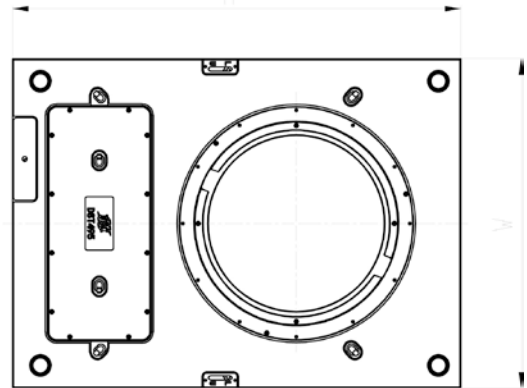
Notice: Specifications are subject to change without notice.

ROTARY TABLES

Dynamic Support Tables

Standard Features

- Designed in accordance with API 7K standards.
- Fabricated table for a rigid, durable design.
- Uses hydraulic motors directly geared to the rotary drive gear.
- Central lubrication system allows easy greasing of all moving DST-parts.
- Hydraulic hose connections for power slip integrated to the rotary table.
- Internal hydraulic controls station for easy installation.
- Torque and speed can be shown in DCR display screen.
- Electrical devices to be explosion proof type certified by Atex or IEC.



Standard Accessories

- Bit breaker adapter plate
- Lifting slings for master busing and API insert bowls
- API insert bowls #1, #2 and #3

Performance Characteristics

Model		DST495	DST605
Table Opening	inches	49-1/2	60-1/2
	mm	1257.3	1536.7
Static Load Capacity	lbs	2,000,000	2,753,790
	kN	8,900	12,250
Max. Table Speed	RPM	15	15
Continuously Rating Speed	RPM	6	6
Max. Table Torque	lb-ft	45,000	45,000
Maximum flow	gpm	115	115
Maximum working pressure	psi	3,000	3,000
Approx. Dimensions	L - in (mm)	126 (3,200)	137.8 (3,500)
	W - in (mm)	92.5 (2,350)	104.4 (2,650)
	H - in (mm)	31 (785)	31 (785)
Approx. Weight	lbs	24,240	29,740
	kg	11,000	13,500

Notice: Specifications are subject to change without notice

North America

TSC Corporation

12550 N. Houston Rosslyn Rd. Houston, TX 77086
T +1 832 448 6100
F +1 832 448 6101
E sales.usa@t-s-c.com

TSC Manufacturing & Supply, LLC

13788 West Rd., Suite #100
Houston, TX 77041
T +1 832 456 3974
F +1 832 456 3901
E sales.mro@t-s-c.com

TSC Manufacturing and Supply

de Mexico, S.A. De C.V.
Carretera Carmen – Puerto Real, Km 14.5
Ciudad del Carmen, Campeche 24157, Mexico
T +52 938 131 4676
E sales.mexico@t-s-c.com

TSC Manufacturing and Service, Ltd.

E sales.canada@t-s-c.com

South America

TSC Offshore Ltda (Macaoe)

Rua K1 Quadra W Lotes 26 e 27, Novo
Cavaleiro, Macae-RJ/Brazil
T +55 22 2123 8200
F +55 22 2123 8200
E sales.brazil@t-s-c.com

TSC Manufacturing and Supply de Colombia SAS

Carrera 14 No.89-48 Oficina 304 Edificio Novanta
Bogotá D.C. – Colombia
T +571 7432290
E ventas@t-s-c.com

TSC Representative Office

Av. 2A, No. 59-129 Edif
Maracaibo, Venezuela
T +58 0261 793 4111
F +58 0261 791 4848
E sales.venezuela@t-s-c.com

TSC Representative Office

Sector Chaparral, Calle Orinoco
Anaco, Venezuela
T +58 0282 424 1633
F +58 0282 422 1391
E sales.venezuela@t-s-c.com

Europe

TSC Engineering Ltd. (Shipley)

Units D & E Shipley Wharf, Wharf St,
Shipley, West Yorkshire, BD17 7DW, UK
T +44 (0) 1274 531862
F +44 (0) 1274 531716
E sales.europe@t-s-c.com

TSC Engineering Ltd. (Aberdeen)

Riverside House, Riverside Dr,
Aberdeen, Aberdeen City AB11 7LH, UK
T +44 (0) 1224 224153
E sales.europe@t-s-c.com

Ansell Jones Ltd.

Unit 101, Access 10 Bentley Road South
Darlaston WS10 8LQ, UK
T +44 (0) 1215 683420
E sales@anselljones.com

Asia Pacific

TSC Group Holdings Ltd.

Unit 910, China Merchants Tower, Shun
Tak Centre, 200 Connaught Road Central
Hong Kong
T +852 2857 3667
F +57 571 646 7451 +852 2857 3381
E tsc.group@t-s-c.com

TSC Offshore China, Ltd.

10/F, No. 1 Beichentaiyue Office Building
Jia-13 Beiyuan Road, Beijing, China
T +86 10 6447 9600
F +86 10 6447 9600
E sales.china@t-s-c.com

Alliance Offshore Drilling (AOD)

48 Toh Guan Road East, #02-144
Enterprise Hub, Singapore, 608586
T +65 6763 0328
F +65 6763 3280
E enquiry@aodpl.com

TSC Group Pte Ltd.

48 Toh Guan Road East, #02-144
Enterprise Hub, Singapore, 608586
T +65 6763 0328
F +65 6763 3280
E sales.singapore@t-s-c.com

PT TSC Offshore Indonesia

P + 62 813 10 999 539
E sales.indonesia@t-s-c.com

Russia, Central Asia

TSC Industrial Group, LLC

Office 301A, Pollars BC, 11 Derbenevskaya Nab.,
Moscow, 115114, Russian Federation
T +7 495 662 9466
F +7 495 662 9466
E sales.russia@t-s-c.com

Middle East, Africa

TSC Middle East DMCC

Office 1108, JBC2 Tower,
Jumeirah Lake Towers Cluster V,
P.O Box 211933. Dubai, United Arab Emirates
T +971 4 5521505
F +971 4 5521504
E sales.mideast@t-s-c.com

Hoisting Equipment

Drill Floor Equipment

Tubular & Riser Handling Equipment

Deck Crane

Tensioning & Skidding Equipment

BOP & Subsea Handling Equipment

Pumps

Mud System

Well Control System Equipment

Jacking Systems

Lifting, Mooring & Winch Packages

Land Rig Solutions



● Sales & Service ● Engineering ● Manufacturing