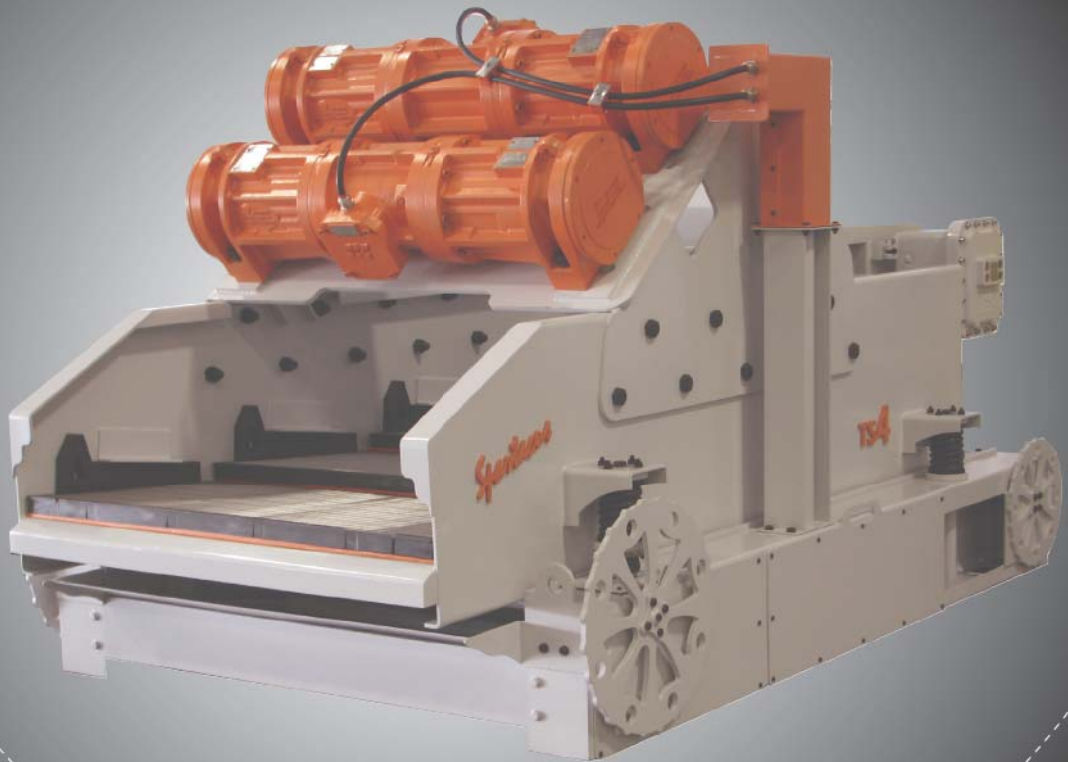




Shale Shakers TS4
Shale Shakers TS4
Shale Shakers TS4

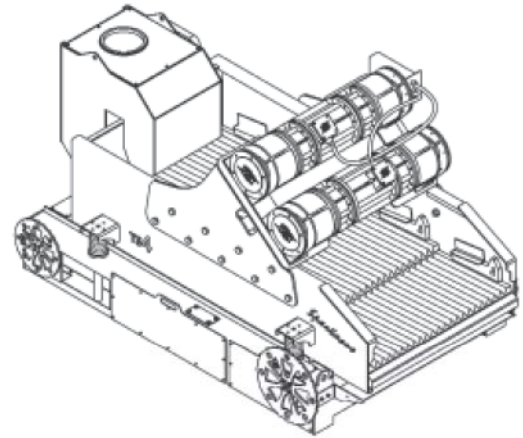
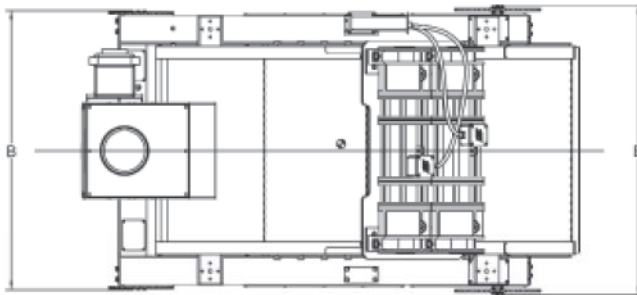
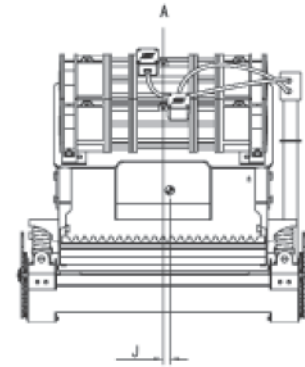
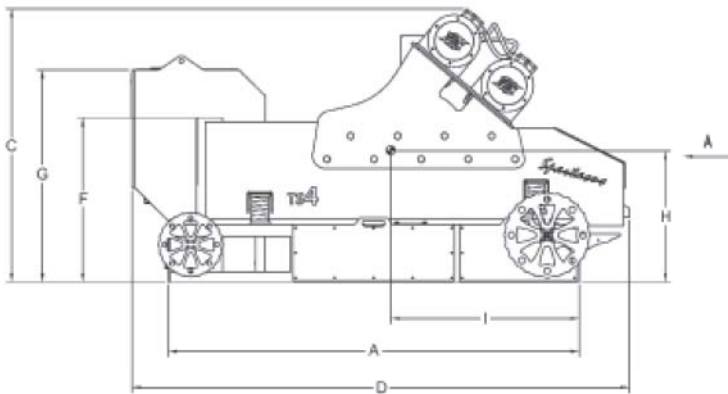


GLOBAL SOLUTIONS

DESIGNING, MANUFACTURING AND PACKAGING FOR THE OIL & GAS INDUSTRY

Beyond Integration
Seamless Solutions™

SHALE SHAKERS



Size	A	B	C	D	E	F	G	H	I	J
SPARTACUS (inches)	92.87	63.28	61.71	112.38	65.75	37.13	47.87	29.69	42.56	1.52
SPARTACUS (mm)	2,359	1,607.3	1,567.5	2,854.5	1,670	943	1,216	754	1,081	38.6



Synchronized wheel rotation jacking system

Model	SPARTACUS
Motor Horsepower	2 x 2.5 HP
Voltage	220 - 690 AC
Speed	1,500 RPM / 50 Hz 1,800 RPM / 60 Hz
Class Approval	UL US IECEx Ex PG
Screen Size	45 7/8" x 23"
Screen Area	29.3 sq. ft
G-Force	6.8 g / 50 Hz 7.1 g / 60 Hz
Angle Adjustment Range	-1.5° - +7°
Approx. Weight	4,409 lbs



TSC MANUFACTURING AND SUPPLY, LLC.

13788 West Road, Suite 100, Houston, Texas 77041, USA

Tel: +1 832 456 3900 Fax: +1 832 456 3998 Email: sales@t-s-c.com

Visit our Website at www.t-s-c.com